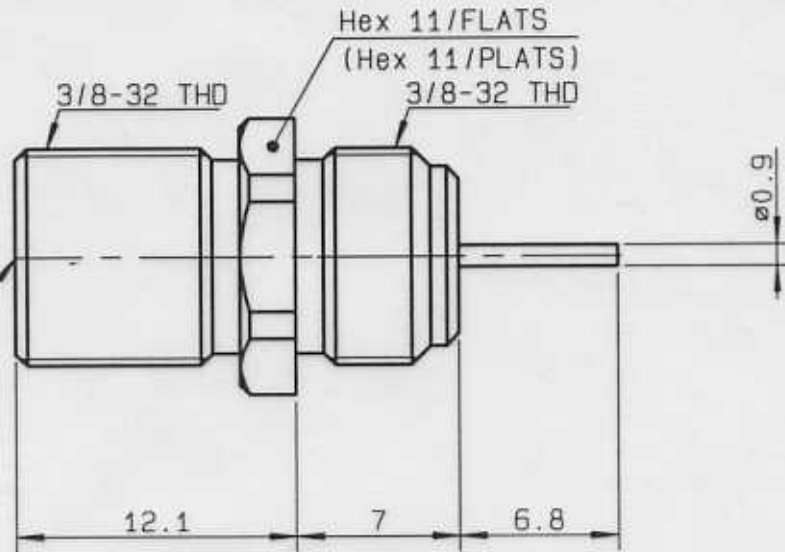


**STRAIGHT RECEPTACLE SCREW TYPE
FRONT MOUNTING**

R139.555.200
SERIES DT-F

Accepts $\varnothing 0.8$ to $\varnothing 1.2$ maxi ctr. cond.
(accepte broche $\varnothing 0.8$ a $\varnothing 1.2$ maxi)



NOMINAL IMPEDANCE	75 Ω
FREQUENCY RANGE	0-3 GHz
TEMPERATURE RATING	-40/+80 °C
V.S.W.R	1.02 + .1 x F(GHz)Maxi
RF INSERTION LOSS	.085 \sqrt{F} (GHz) dB Maxi
VOLTAGE RATING	500 Veff Maxi
DIELECTRIC WITHSTANDING VOLTAGE	1500 Veff Mini
INSULATION RESISTANCE	5000 M Ω Mini
HERMETIC SEAL	NA Atm.cm ³ /s
LEAKAGE (pressurized only)	NA
MECHANICAL DURABILITY	500 Cycles
WEIGHT	5.5 gr
SPECIFICATION	

CABLES :	
OTHERS CHARACTERISTICS	
CABLE RETENTION	NA N Mini
CENTER CONTACT RETENTION	
Axial force - mating end	15 N Mini
Axial force - opposite end	15 N Mini
Torque	NA cm.N Mini
RECOMMENDED TORQUES	
Mating	NA cm.N
Panel nut	250 cm.N
Clamp nut	NA cm.N

CONNECTOR PARTS	MATERIALS	FINISH	(all values are given in micrometers)
BODY	BRASS	BBR 2	
OUTER CONTACT			
CENTER CONTACT	BERYLLIUM COPPER, BRASS	GOLD 0.75 OVER NICKEL 2 + SILVER 3	
INSULATOR	POLYPROPYLENE	-	
GASKET		-	
OTHERS PIECES			

ISSUE	CREATION DATE	FILE PART-NUMBER
9837A00	24-SEP-96	96-0106-196



The information given here is subject to change without notice.
Design changes may be in order to improve the product.

Connect to the future

BAFFERT